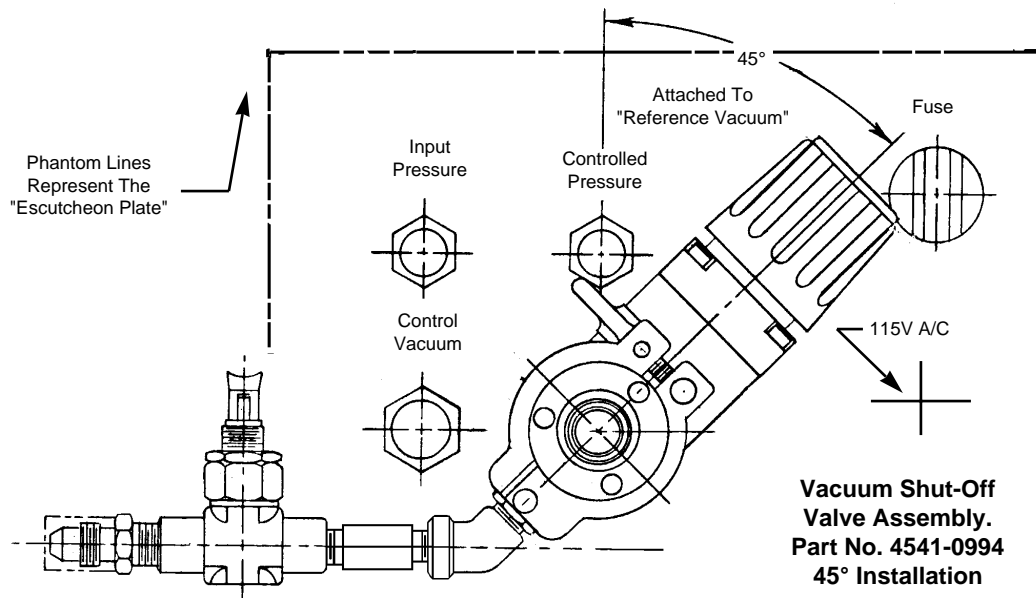


4541-0994 VACUUM SHUT-OFF VALVE



Q_C calibration requires using the Schwien Manometer in differential mode, where $Q_C = P_T - P_S$. This requires the reference pressure port of the manometer to be connected to the P_S output of the calibrator.

The **4541-0994 Vacuum Shut-Off Valve Assembly** facilitates this procedure by allowing the operator to make the required connections for this procedure without disconnecting any of the plumbing associated with the reference vacuum pump. This not only saves time in making the connections, it also allows the reference vacuum pump to keep operating, isolated from the system, thereby reducing the time required to re-establish reference vacuum in the system when Q_C testing is completed.